

College Reservoir Replacement Project

GOLDEN STATE WATER COMPANY
A California Regulated Utility

*Presentation to the Yorba Linda
City Council*

Ken Vecchiarelli – General Manager, Orange County District



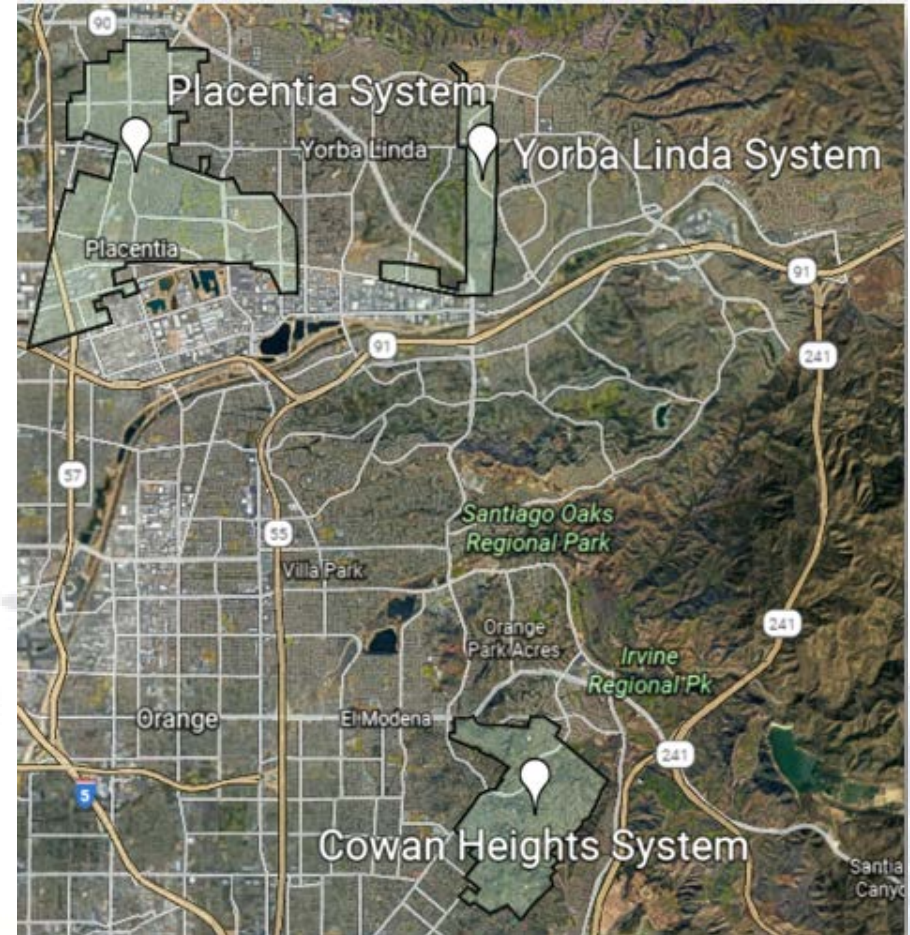
**Golden State
Water Company**

A Subsidiary of American States Water Company

GOLDEN STATE WATER COMPANY

Placentia Customer Service Area

- ❑ Serve approximately 15,600 customer connections through the Placentia-Yorba Linda and Cowan Heights Systems
 - 90% Residential
 - 7% Commercial, Industrial, and Institutional (Public Authority)
 - 3% Irrigation, private fire service, & other
- ❑ Blend of groundwater pumped from Orange County Groundwater Basin and imported water from Colorado River Aqueduct and State Water Project



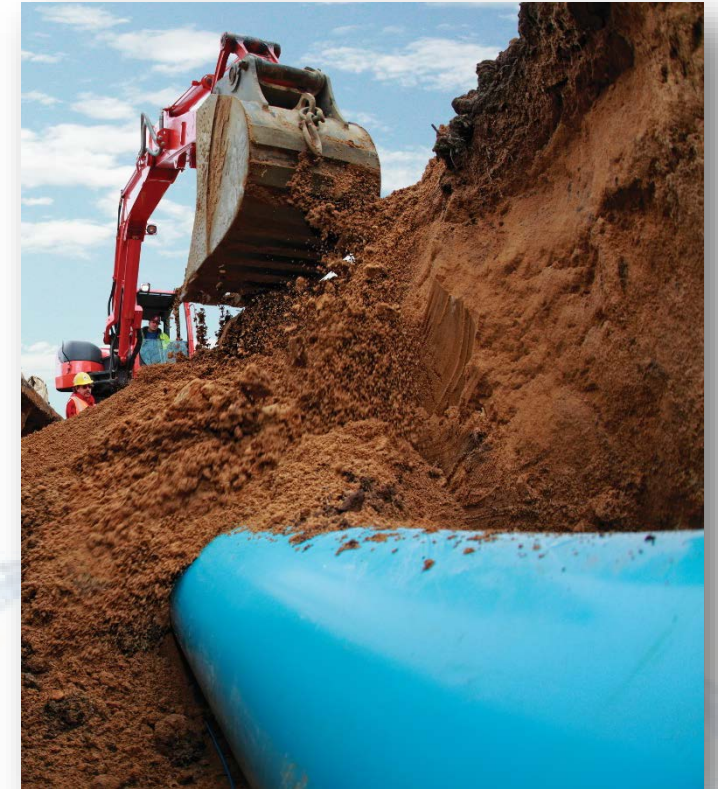
2017 GENERAL RATE CASE

Rates for 2019, 2020, 2021

- ❑ Rates are primarily driven by how much we invest to protect the safety and reliability of the local water system
- ❑ \$28.3M in proposed CIPs for the Placentia CSA Systems

Key Local Projects (proposed)

Reservoir Upgrades.....	\$17,287,000
Pipeline and System Valve Replacements.....	\$4,646,000
Well Upgrades.....	\$3,255,000
Booster Pump Station Upgrades	\$1,386,000
Meters and Service Installations.....	\$1,087,000



PROJECT DESCRIPTION

- Replace Existing 1 MG tank with (2) Welded Steel Tanks - \$4.5M
- Engineering Design and Construction Support - \$350K
- Total Project Cost Estimate - \$4.9M

Construction Duration – June 2020 to November 2021

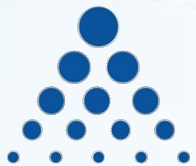
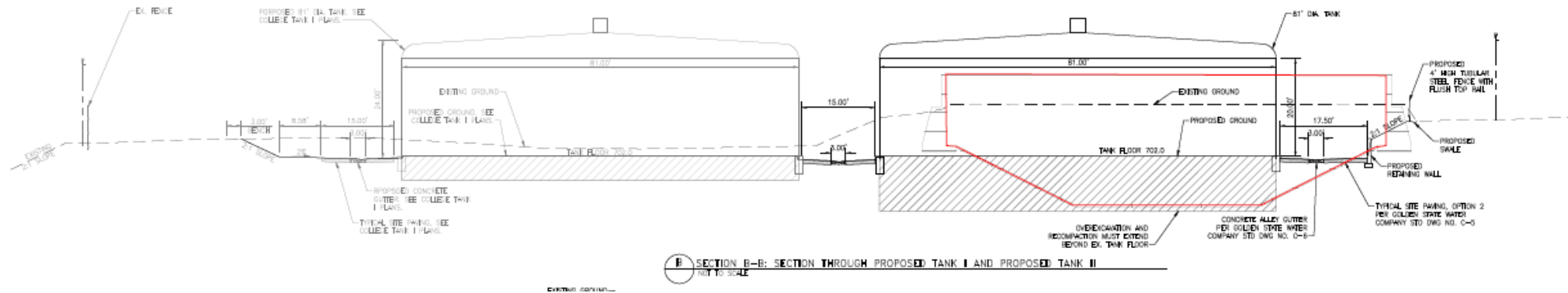
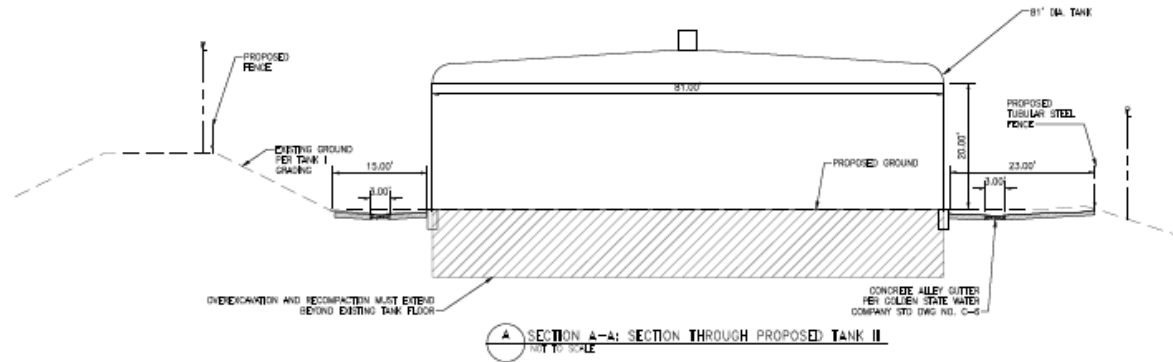
VICINITY MAP



Golden State
Water Company

A Subsidiary of American States Water Company

PROFILE VIEW



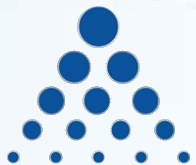
Golden State
Water Company

A Subsidiary of American States Water Company

PUBLIC OUTREACH

GSWC Communications Plan:

- Presentations to the Kerrigan Ranch HOA Board Members on February 12, 2019 and September 10, 2019
- Presentation to the City of Yorba Linda
- Presentation to the PLYUSD (for Yorba Linda High School)
- Hand deliver Construction Notices to area residents prior to commencement of work (see map on next slide)
- Post Regular Construction Updates on GSWC Website
<https://www.gswater.com/placentia/infrastructure-projects/>



Golden State
Water Company

A Subsidiary of American States Water Company

CONSTRUCTION NOTIFICATION AREA



Golden State
Water Company

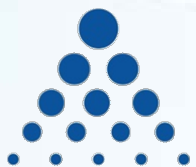
A Subsidiary of American States Water Company

For 24/7 Customer Service

Call 1-800-999-4033

Visit us at www.gswater.com

THANK YOU



Golden State
Water Company

A Subsidiary of American States Water Company